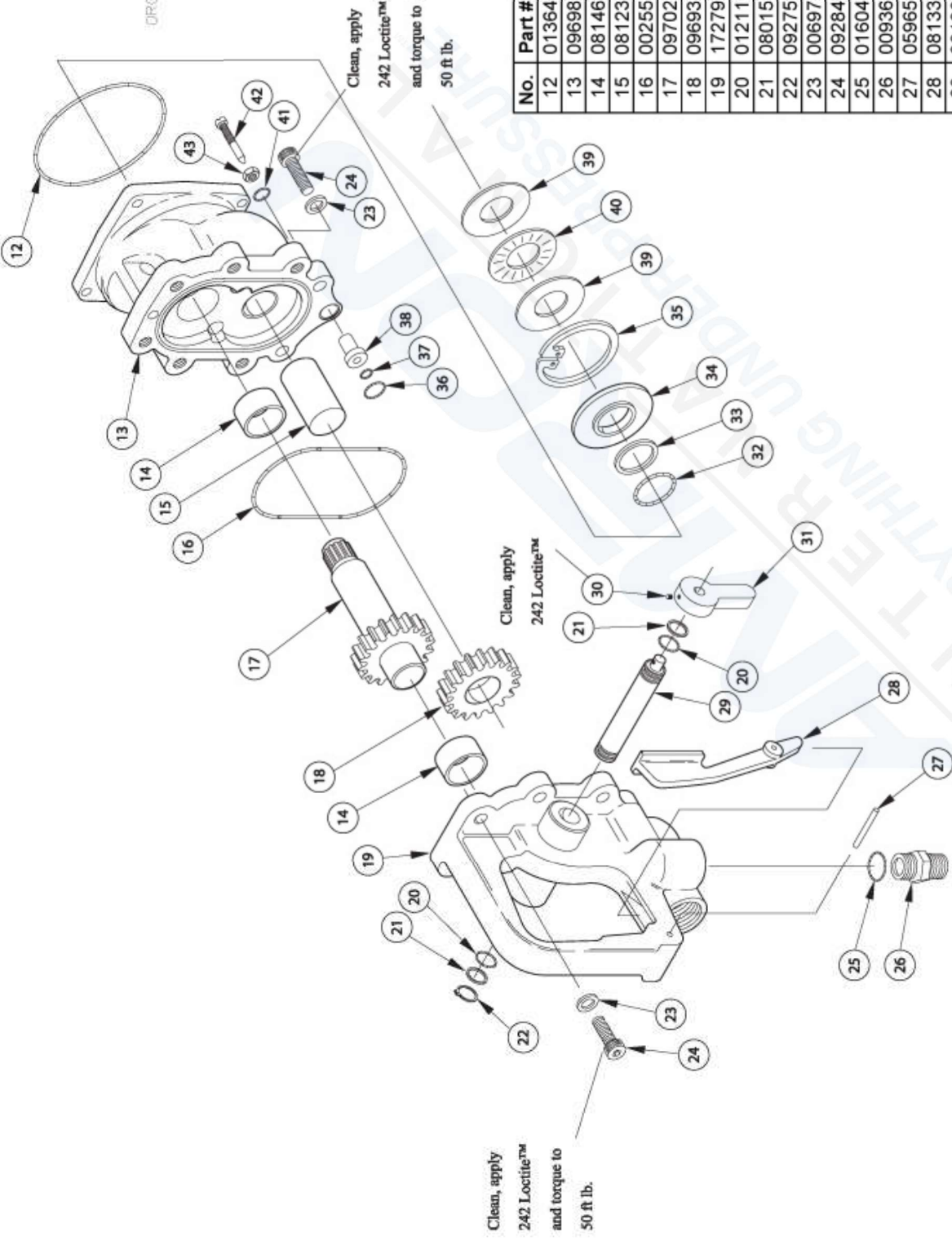
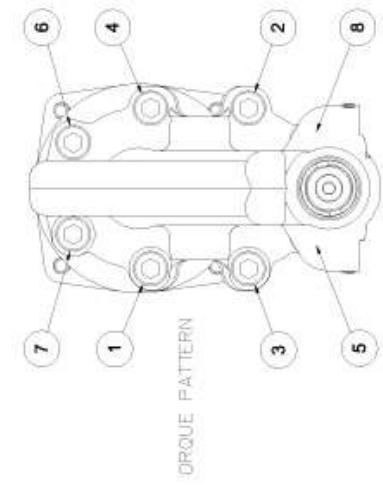
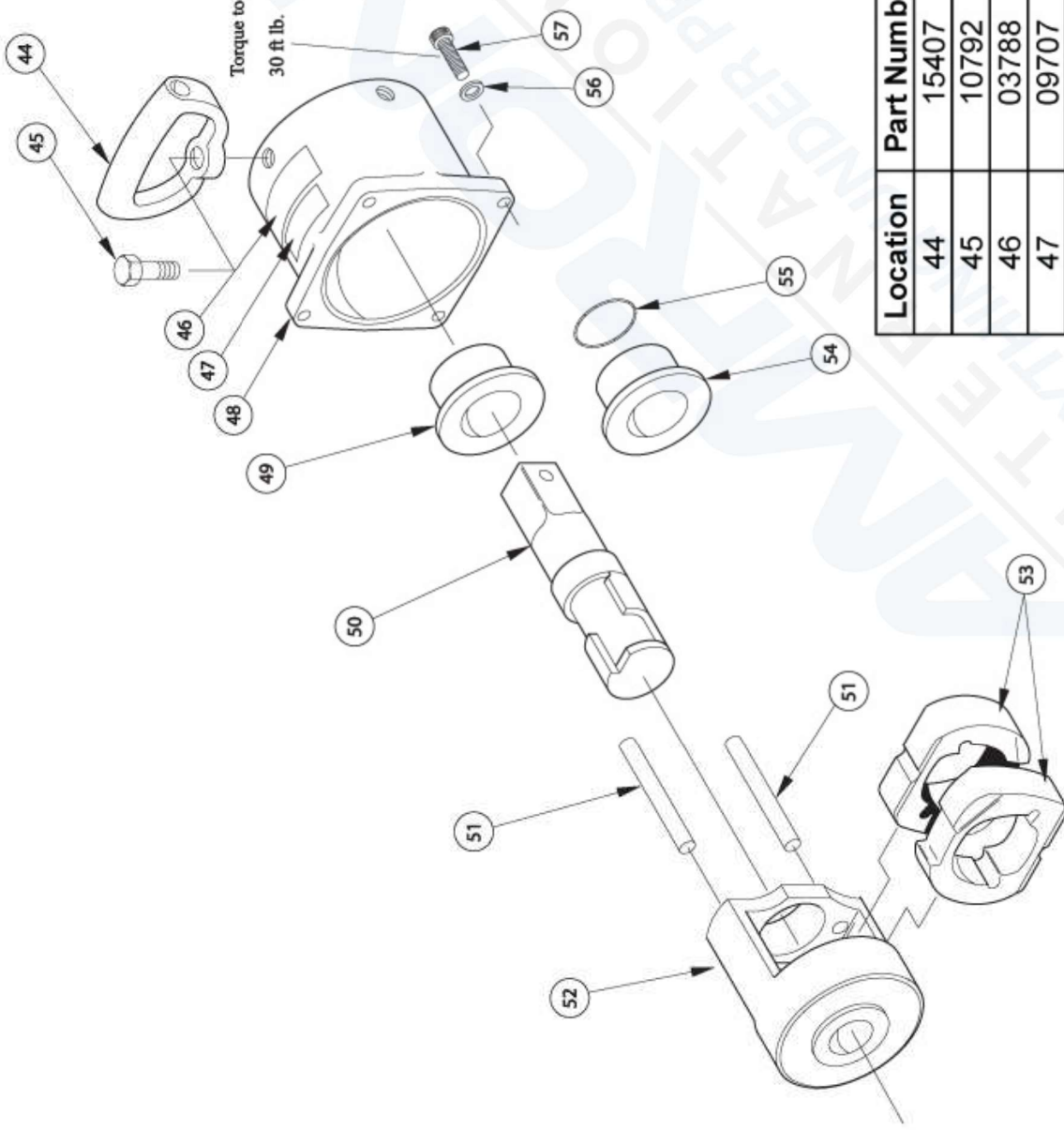


Location	Part Number	Description
1	22064	ROD WIPER
2	00026	O-RING 2-008 R16
3	22063	SPOOL CAP
4	06533	O-RING 3-916 R17 90D BUNA
5	23678	HEADED PUSH PIN
6	07998	ON/OFF SPOOL WELDMENT-OC
7	07986	RELIEF SEAT
8	08135	RELIEF POPPET
9	08131	SPOOL RETURN SPRING
10	08122	COIL SPRING
11	07982	SPRING REST



No.	Part #	Description
12	01364	O-RING 2-047 R16 70D BUNA
13	09698	MOTOR HOUSING ASSY-IW24
14	08146	BUSHING
15	08123	IDLER SHAFT
16	00255	O-RING 2-045 R16 70D BUNA
17	09702	MAIN SHAFT-IW24
18	09693	IDLER GEAR ASSY-IW24
19	17279	VALVE HANDLE ASSY
20	01211	O-RING 2-016 R16 70D BUNA
21	08015	SPIRAL BACK-UP RING -016
22	09275	RETAINING RING-75 EXT. STNLS.
23	00697	LOCKWASHER-1/2" STNLS
24	09284	HSHCS 1/2-13UNCx1-3/4 SST
25	01604	O-RING 3-910 R17 90D BUNA
26	00936	ADAPTER
27	05965	ROLL PIN-1/4X1 1/2-MDK STNLS
28	08133	TRIGGER
29	08139	REVERSING SPOOL
30	00580	SETScrew-1/4-20 X 1/4HSH-STNLS
31	04939	LEVER
32	04888	O-RING 2-124 R16 70D BUNA
33	08180	BACK-UP RING-124
34	08125	SEAL BACK-UP WASHER
35	00663	RETAINER RING
36	00016	O-RING 2-015 R16 70D BUNA
37	00717	O-RING 2-010 R16
38	07995	INSERT
39	08147	THRUST BEARING RACE
40	08148	THRUST NEEDLE BEARING
41	03252	O-RING 2-013 R16 70D BUNA
42	07984	RELIEF ADJUSTMENT SCREW
43	09277	HEX NUT 5/16-18 STNLS



Location	Part Number	Description
44	15407	DEAD HANDLE
45	10792	HHCS 5/8-11UNCx1-1/4 SST
46	03788	GPM STICKER 4-12 2000PSI
47	09707	NAME TAG-IW24
48	10193	HAMMER CASE ASSY
49	10563	HAMMER CASE BUSHING
50	03608	DRIVE ANVIL 1-1/2" SQ
51	19485	HAMMER PIN
52	19484	INTEGRAL FRAME W/PINS
53	03607	HAMMER
54	21012	HAMMER CASE BUSHING-MODIFIED
55	01872	O-RING 2-136 R16 70D BUNA
56	00812	LOCK WASHER
57	10793	HSHCS 3/8-16UNCx1-1/4 SST